



FOOD PROCESSOR

SERVING THE FOOD INDUSTRY SINCE 1951



SANTOS CHEESE GRATER
Item: 40619 / Model: Santos 02



Available only in Canada INTERNATIONALLY PATENTED MODEL



WARRANTY
PARTS AND LABOR



Authorized Dealer

FOOD PROCESSOR

SANTOS CHEESE GRATER



TECHNICAL SPECIFICATIONS

ITEM	40619
MODEL	Santos 02
DESCRIPTION	Stainless steel and sanitary cast aluminium Antimicrobial painted body
ELECTRICAL	100-120V/60Hz/1Ph
POWER	650w/ 0.87Hp
AMP	5.4
RPM	1800
PRODUCTION (PER HOUR)	50 kg/ 110 lbs. per hour
NET DIMENSIONS	16.5" x 10" x 14" / 420 x 250 x 360 mm
GROSS DIMENSIONS	12" x 18" x 16" / 295 x 455 x 410 mm
NET WEIGHT	32 lbs./ 14.5 kg
GROSS WEIGHT	34 lbs./ 15.5 kg

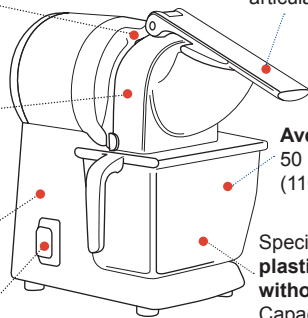
Safety switch:
machine stops
when opening
drawer or lever

Ergonomic and sturdy
articulated lever

Delivered with
1 standard disc
with ø3mm holes

Stainless steel
and sanitary
cast aluminium
Antimicrobial painted

Safety On/
Off switch

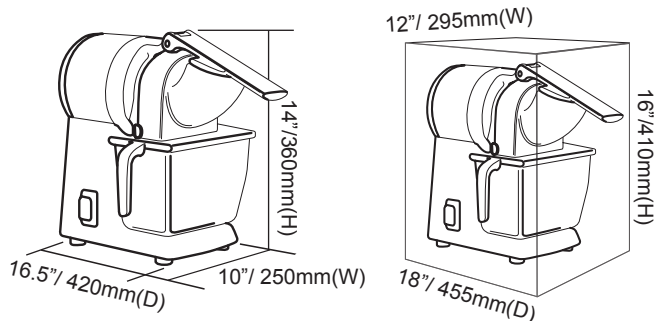


Average output:
50 kg/hour
(110 lbs/hour)

Special alimentary
plastic drawer
without bisphenol A
Capacity 800g
(1.8 lbs)

PARTS And SPECIFICATIONS

DIMENSIONS



**1 Standard Disc
Included**
ø3mm holes
Item 40951

..... OTHER DISCS ON DEMAND



ø2mm holes
Item 40950



ø4mm holes
Item 40952



ø6mm holes
Item 40953



ø8mm holes
Item 40954



Specific disc for fondue,
mozzarella, chocolate
Item 40956



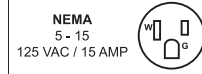
Specific disc for parmesan,
dried fruits, peanuts (very fine)
Item 40955

A WIDE RANGE OF DISCS To Grate Everything



1. Removable housing for easy cleaning
2. Discs can be adapted to both new and old grater
3. Stainless steel plate for easy cleaning
4. Integrated tool to screw and unscrew the disc and lock the grater housing

EASY To Clean



Available only in Canada

OMCAN INC.

Telephone: 1-800-465-0234
Fax: (905) 607-0234
Email: sales@omcan.com
Website: www.omcan.com



Follow us to keep up to date with the latest news and offers

